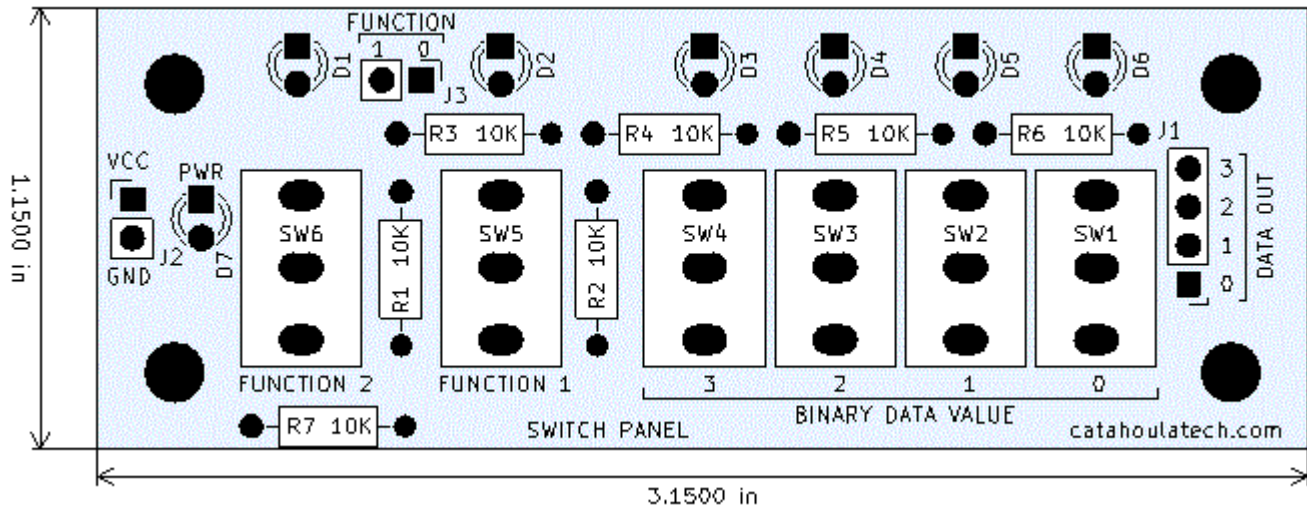


# RL4100 – 6 switch control panel



## Bill of Materials

Part	Value	Description
R1-R7	10K 1/4W	LED current limiting resistor (optional)
D1-D7	LED	3mm T-1 LED (optional)
SW1-SW6	SS-12D10	4.7mm pitch 3 pin SPDT switch
J1-J3	Header	0.1" pitch header, right angle recommended

Mount holes are 4mm (#8 screw) diameter.

## Input Ports

Name	Size	Description
VCC	1	Power supply 12VDC
GND	1	Power supply ground

## Output Ports

Name	Size	Description
DATA OUT	4	Output settings of SW1-SW4 for 4-bit data input
FUNCTION	2	Output settings of SW5-SW6 for user defined functionality

## Typical Application

The RL4100 module is typically used as control input to another 4-bit relay module with 4-bit DATA OUT. The two user defined FUNCTION outputs could optionally be used for any desired functionality when used in conjunction with other relay module(s) including load, store, add/subtract, multiplexer select, or enable control.